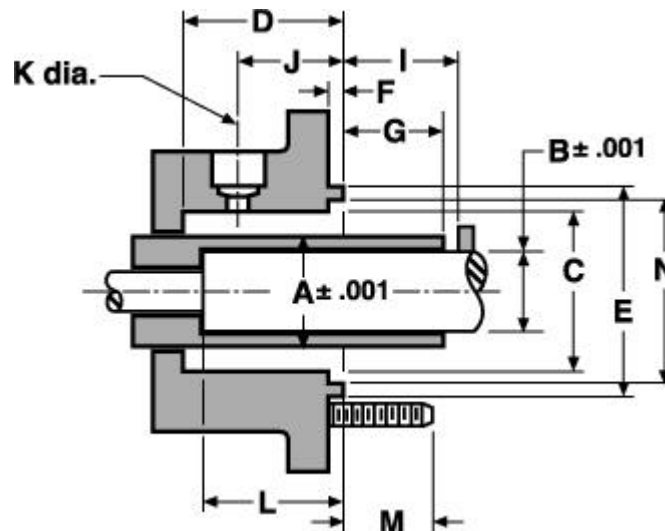


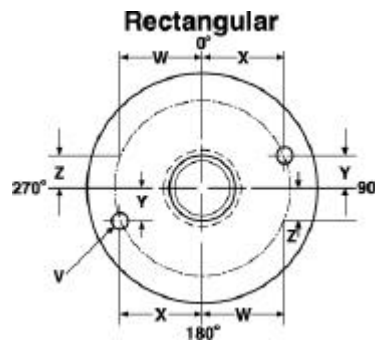
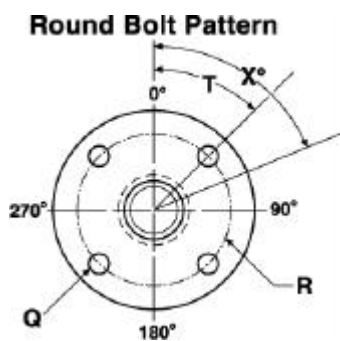
# DELTA MECHANICAL SEAL APPLICATION DATA

Please print this form and fax to factory at (508) 324-4339

Reply To:	Date:	Page:
X	Delta Quote:	Rev:
X	Inquiry No:	Date:
X	User Name:	X
Attention:	Plant Site:	X
Item No:	Equip. No:	X
<b>EQUIPMENT DATA</b>		<b>PUMP FEATURES</b>
Identification of Equipment:	Casing Type: Solid <input type="checkbox"/> Horiz <input type="checkbox"/> Vertical <input type="checkbox"/>	
Manufacturer of Equipment:	Wetted Metal Construction:	
Serial Number:	Cooling Jacket On Pump? Yes <input type="checkbox"/> No <input type="checkbox"/>	
Model Number:	Has Pump Been Altered? Yes <input type="checkbox"/> No <input type="checkbox"/>	
Size:	Pump: Packed <input type="checkbox"/> Sealed <input type="checkbox"/>	
Type:	Mfg./Type:	
Shaft Speed:		



<b>EQUIPMENT DIMENSIONS</b>	(H) Shaft/Sleeve Mat'l
(A) Sleeve O.D.	(I) First Obstruction
(B) Shaft O.D.	(J) Tap In Box
(C) Box Bore	(K) Thru Hole
(D) Box Depth	(L) Shaft Obstruction/Step
(E) Register	(M) Stud Extension from Box Face
(F) Register Length	(N) I.D. Pilot
(G) End Of Sleeve	(O) Casing Mat'l



<b>BOLTING (ROUND)</b>	<b>BOLTING (RECTANGULAR)</b>
(P) = Quantity	(U) = Quantity
(Q) = Size	(V) = Size
(R) = Bolt Circle	(W) = Offset
(S) = Spacing	(X) = Spacing
(T) = First Hole	(Y) = Spacing
X	(Z) = Spacing

<b>ENVIRONMENTAL CONTROLS FEATURE</b>	X	
(QH) = Quench	Size	0° to _____ °
(DR) = Drain	Size	0° to _____ °
(VE) = Vent	Size	0° to _____ °
(FL) = Flush	Size	0° to _____ °
<b>OPERATING CONDITIONS</b>	PH Value	
Process Fluid	Concentration %	
Temp. °F (°C)	<b>Pressures:</b>	
RPM	Box Pressure	
Sp. Gr.	Suction Pressure	
Vapor Pressure, PSIA	Discharge Pressure	
Viscosity, CP	X	
<b>FLUID CHARACTERISTICS:</b>	<b>% Solids</b>	<b>Type Solids</b>
Solids Present? <input type="checkbox"/> Yes <input type="checkbox"/> No	X	X
Does Fluid Set-Up & Harden? <input type="checkbox"/> Yes <input type="checkbox"/> No	X	X
Does Fluid Crystallize? <input type="checkbox"/> Yes <input type="checkbox"/> No	X	X
Is Fluid Dangerous or Toxic? <input type="checkbox"/> Yes <input type="checkbox"/> No		
Is Fluid Corrosive? <input type="checkbox"/> Yes <input type="checkbox"/> No		
Other?		

<b>ENVIRONMENTAL CONTROLS:</b>	
Clean Liquid Flush Available: <input type="checkbox"/> Yes <input type="checkbox"/> No Description:	
Quench Liquid or Steam Available: <input type="checkbox"/> Yes <input type="checkbox"/> No Description:	
Cooling Water Available: <input type="checkbox"/> Yes <input type="checkbox"/> No Description:	
Is System Cleaned: <input type="checkbox"/> Yes <input type="checkbox"/> No Description:	
With What?	
<b>EXISTING SYSTEM</b>	X
API Plan	Flush/Buffer Fluid
Supply Tank	Temp. °F (°C)
Circulator	Pressure, PSIG (BAR)
Heat Exchanger	GPM (LPM)

All Information © 2001 Delta Mechanical Seals